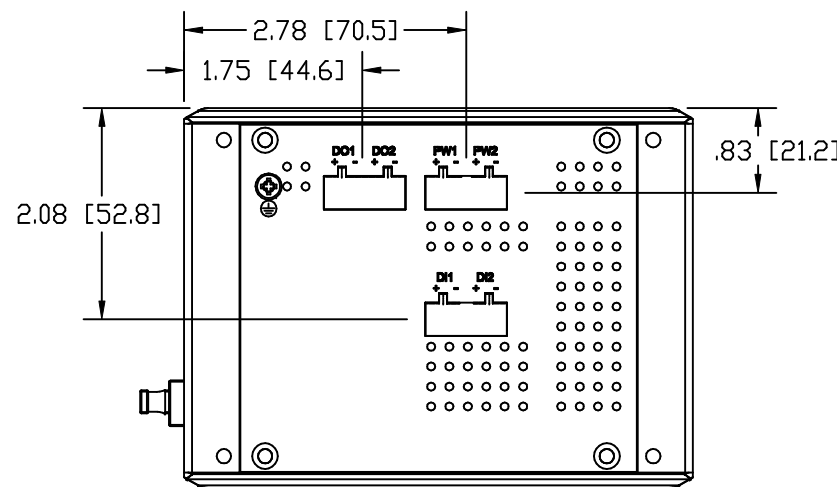
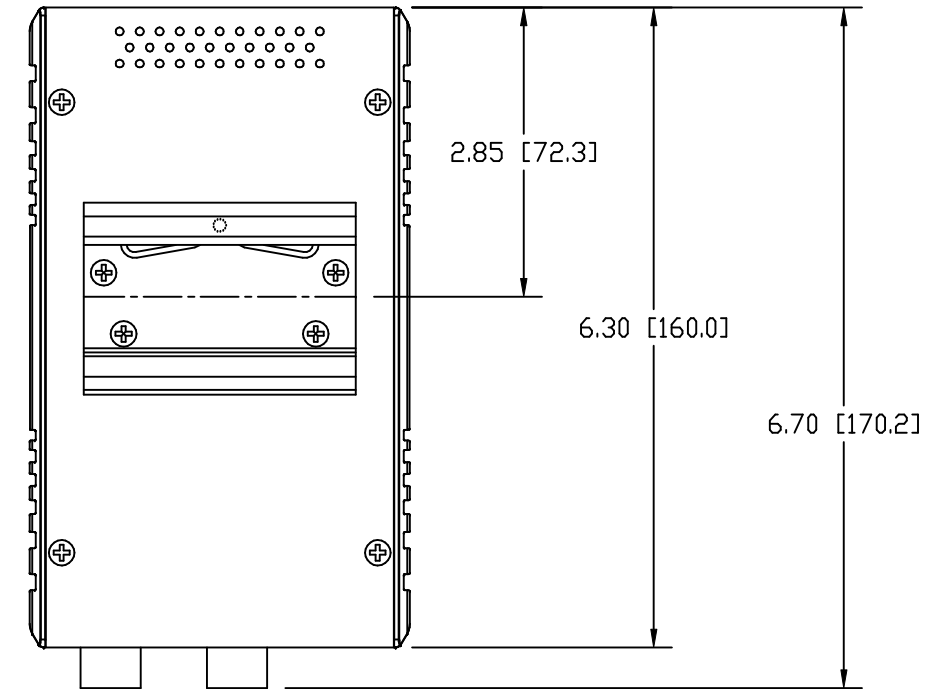
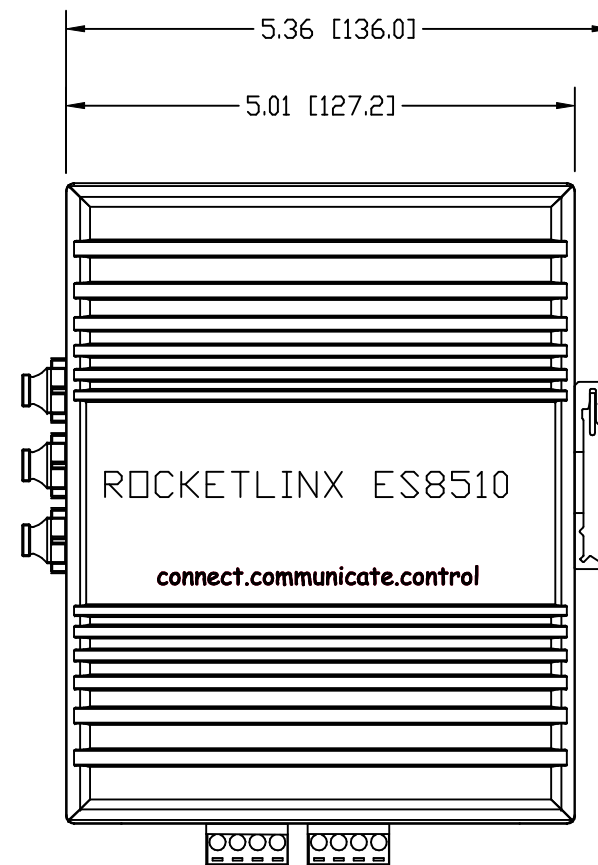
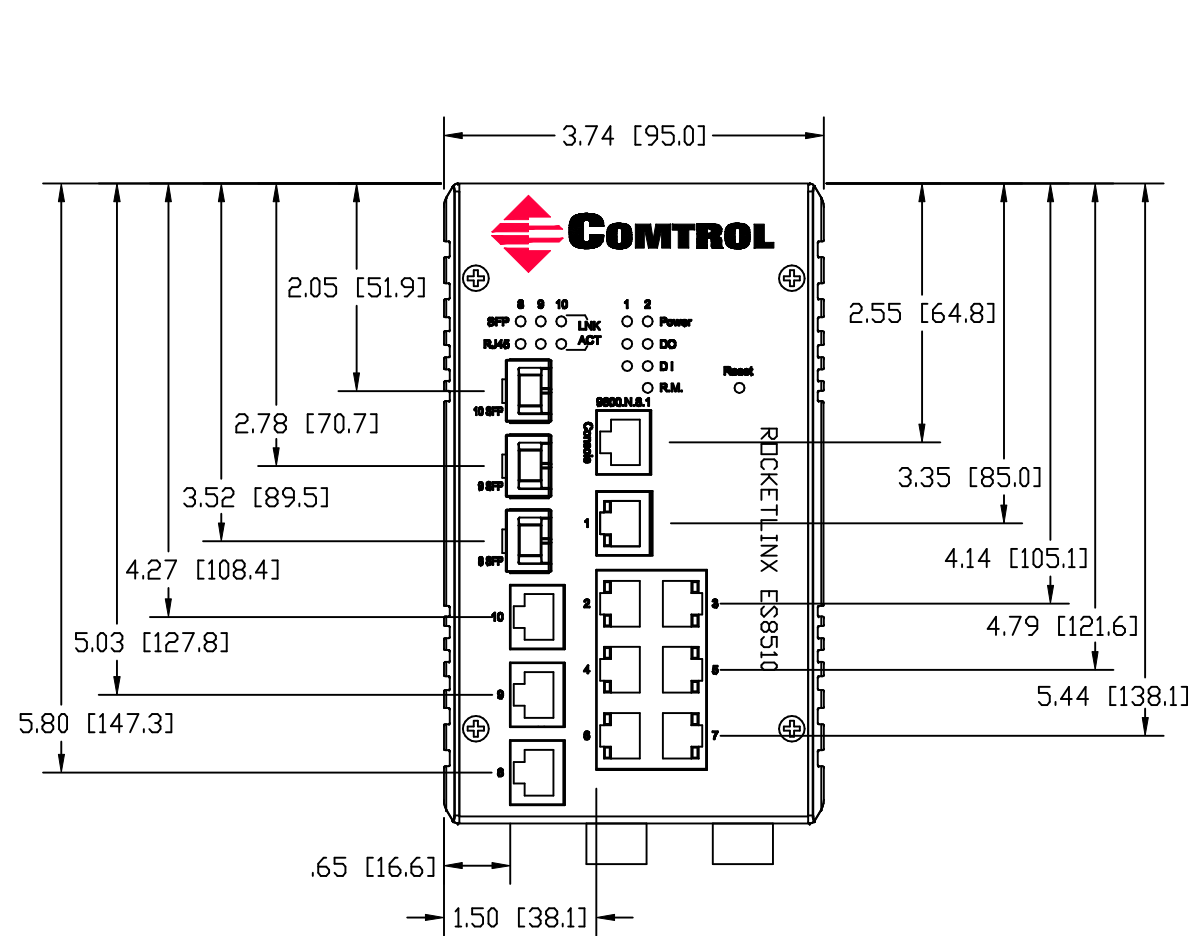


REVISION RECORD

REV	ECO	DESCRIPTION	DATE	DRFT	APVD
01	N/A	Initial release for review	07/15/09	S.JL	
02	N/A	Add 32061-6	02/24/10	S.JL	

NOTES:

1. DEVICE IS DESIGNED TO BE MOUNTED ON 35MM DIN RAIL (EN 50022).



DIMENSIONS ARE IN INCHES [MM]				
CONTROL CORP.				
TITLE ROCKETLINX ES8510 INDUSTRIAL ETHERNET SWITCH 32060-9, 32061-6				
FILENAME ROCKETLINX_ES8510_02.DWG				
SIZE B	BY S.JL	DATE 07/15/09	REV 02	SHEET 1 OF 1